

www.indef.com

PRODUCTIVITY - RELIABILITY - SAFETY

For more than five decades now, Indef hoisting products are the Indian industry's "go to" solution for any material handling requirement.

Our products are known for their enduring design and build that ensures cost effective, reliable productivity and safety to our customers.

This is simply the reason that Indef hoists are the market leaders in India. Big and small - our customer base spans almost all industrial sectors: name a sector and we can name many customers in that sector, most of them the leading names.

Our newly designed and developed Indef iR Series wire rope hoists are not only optimised for standalone hoisting but also crane applications, meeting the needs of users across a wide spectrum of customers.

The innovatively designed iR rope hoist satisfies all the needs of the market for reliable productivity, efficiency and safety, easily justifying the investment for organisations and their users.

Our integrated design and manufacturing facility is equipped with contemporary production and testing facilities and has its quality systems certified to ISO 9001:2015 standards. Using state-of-the-art design methodologies, our team of engineers design robust products and solutions to support the most demanding material handling requirements.

No wonder, our brand Indef is synonymous with customer requirements for **LIFTING, MOVING and STORING**.

HERCULES HOISTS LIMITED



iR Series
Wire Rope Hoists

- ◆ Lifting
- ◆ Moving
- ◆ Storing

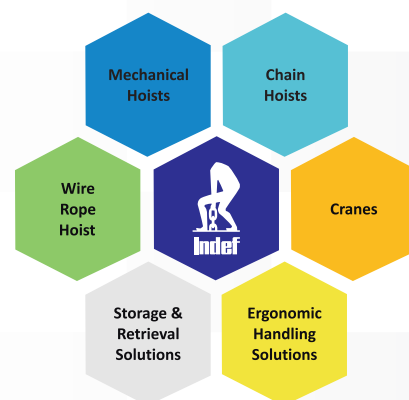
Compliant with CE Certification Standards



Redefining Material Handling. Since 1962.

Material Handling. Delivered

HLL/Product Name/2021 14 10/V2



HERCULES HOISTS LIMITED

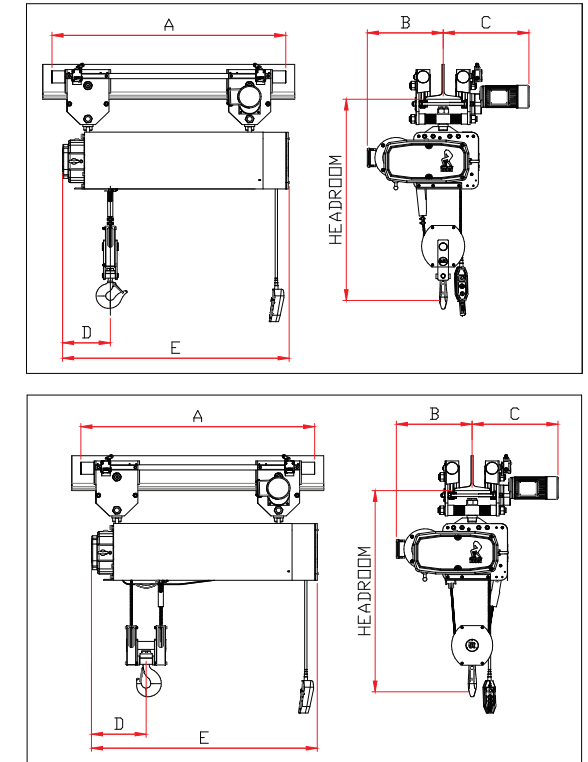
43/2B, Savroli-Kharpada Road, Dhamani, Khalapur - 410 202, Maharashtra, India
Regional offices: Chennai | Kolkata | New Delhi | Pune
Tel : +91 (0)2192 662511 | Fax: +91 (0) 2192 662504
www.indef.com | enquire@indef.com

Why Indef iR Hoist?

- World Class Hoist:** Optimized design complying with international FEM Norms
 - Indef iR hoists have been designed in conformity with FEM classification 2m
 - The gearbox service life is rated for more than 2000 hours at full load.
- Compact Modular Design**
 - The Indef iR rope hoist provides better side approaches enabling better utilization of the shed space
 - With a modular design, maintenance is simplified enabling quick maintenance to enable high uptime of the hoist.
- High Performance Gearbox**
 - Compact, low maintenance, low noise, multistage, lube immersed gearbox directly coupled to rope drum for high efficiency
 - Hardened and ground gears for long life, low noise, highly durable gearing.
- Economical In Operation**
 - Optimised motor capacities for efficient power consumption

- Light weight, robust die-cast aluminium alloy gearbox body for lower deadweight
- Directly coupled three stage shaft mounted drive directly connected to rope drum.
- Efficient Motor**
 - Efficiently designed, green technology IP 55 enclosure based, optimised motor design for low noise and low vibration operation
 - Provision for thermocouple and encoder adaptation if demanded by application.
- Flexible Design**
 - Design adaptable to meet customer specific requirements for components (motors, VFD, brake, wire-rope etc.)
 - Optional of dual speed upgrade kit .
- Fast Acting Brake**
 - Fast action electromagnetic disc brakes for enhanced safety.
 - Factor of safety of 1.5
- Single Speed / Dual Speed Options**
 - Single speed standard
 - Dual Speed with frequency inverter on request allowing frequency range from 10% minimum to 100%
 - Dual speed upgrade kit can be provided.

- Protective Rope Guide**
 - Built with special engineering grade thermoplastic with high wear and heat resistance
 - Reduced wire rope wear
- Overload Protection As Standard**
 - Overload protection integrated in the hoist for user and asset safety.
- One Hoist, Many Avatars**
 - Bogie / Fixed Trolley or Low Headroom or Foot mounted or Crab mounted execution
 - Standard Execution or EX/FLP Execution
 - Standard Lift (2/1 or 4/1 reeving) or True Lift (4/2reeving)
 - From 1t to 20t SWL.
- Proven Technology From A Trusted Brand**
 - More than 4 decades of experience in designing, manufacturing and supporting electrical hoists covering more than 2,00,000 units.
- Indef Sales And Service Within Immediate Reach**
 - Accessible sales and service support from more than 50 Authorised Business Partners providing stock, sale and service facilities and more than 100 authorised retailers all over India



Hoist Model	Capacity ton	SWL in ton & Design Duty Class				Reeving No. of Falls	Lifting Speed MPM	Hoist Motor kW	Head Room mm	Rope Dia. mm	Monorail Beam		Cross Travel			Typical GA Dimensions												Approx. Weight, Kg												
		FEM / ISO / IS	FEM / ISO / IS	FEM / ISO / IS	FEM / ISO / IS						Width Range mm	Thickness mm	Kw	MPM	Wheel Dia mm	No of wheels	Lift 6 m		Lift 9 m		Lift 12 m		Lift 15 m		Lift 18 m		Lift 21 m		Lift 24 m		Lift 6 m		Lift 9 m	Lift 12 m	Lift 15 m	Lift 18 m	Lift 21 m	Lift 24 m		
		4 m / M 7 / Class IV	3 m / M 6 / Class III	2 m / M 5 / Class II	1 Am / M 4 / Class I								KW x number of motor				A	E	A	E	A	E	A	E	A	E	A	E	A	E	A	E	B	C	D					
IR-010-21-BT	1	0.5	0.75	1	1.25	2	6	1.3	1150	8	90-180	20	0.37 x 1	17	140	4	925	880	1075	1030	1210	1170	1365	1320	1505	1460	1665	1620	1805	1760	460	505-550	290	300	320	340	355	370	390	410
IR-020-41-BT	2	0.5	1	2	2.5	4	3.0MPM - Upto 15M HOL 3.3MPM - Above 15M HOL	1.3	1150	8	90-180	20	0.37 x 1	17	140	4	1215	1170	1505	1460	1805	1760	2115	2070	2035	1990	2255	2210	2485	2440	460	505-550	330	365	390	410	425	440	460	485
IR-016-21-BT	1.6	1	1.3	1.6	2	2	7	2.5	1250	8	90-180	20	0.37 x 1	17	140	4	905	850	1025	980	1175	1130	1275	1230	1405	1360	1535	1490	1665	1620	460	505-550	290	300	320	340	355	370	390	410
IR-032-41-BT	3.2	2	2.5	3.2	4	4	3.5MPM - Upto 15M HOL 4.0MPM - Above 15M HOL	2.5	1150	8	90-180	20	0.37 x 1	17	140	4	1175	1130	1405	1360	1665	1620	2115	2070	2035	1990	2255	2210	2485	2440	460	505-550	330	365	390	410	425	440	460	485
IR-020-21-BT	2	1	1.5	2	2.5	2	6	2.5	1250	10	90-180	20	0.37 x 1	17	140	4	925	880	1075	1030	1210	1170	1365	1320	1505	1460	1665	1620	1805	1760	460	505-550	290	340	360	385	400	415	435	455
IR-040-41-BT	4	3	3.5	4	5	4	3.0MPM - Upto 15M HOL 3.3MPM - Above 15M HOL	2.5	1150	10	90-180	20	0.37 x 1	17	140	4	1215	1170	1505	1460	1805	1760	2115	2070	2205	2160	2460	2415	2715	2670	460	505-550	330	370	395	415	430	445	465	490
IR-025-21-BT	2.5	2	2.2	2.5	3	2	8	4.1	1350	10	125-210	20	0.37 x 1	17	140	4	895	875	1025	1005	1175	1155	1275	1255	1405	1385	1535	1515	1665	1645	475	525-570	270	340	360	385	400	415	435	455
IR-050-41-BT	5	4	4.5	5	5.5	4	4	4.1	1250	10	125-210	20	0.37 x 1	17	140	4	1175	1155	1405	1385	1665	1645	1925	1905	2185	2165	2440	2420	2695	2675	475	525-570	350	405	435	455	475	490	410	535
IR-050-21-BT	5	4	4.5	5	5.5	2	8	8.1	1750	13	125-210	20	0.37 x 1	17	140	4	1205	1240	1205	1240	1315	1350	1415	1450	1525	1570	1625	1660	1735	1770	550	535-580	440	420	445	460	480	500	520	540
IR-100-41-BT	10	8	9	10	12.5	4	4	8.1	1650	13	125-210	20	0.37 x 2	17	140	4	1315	1350	1525	1560	1735	1770	1945	1980	2155	2180	2365	2400	2575	2610	550	535-580	550	510	550	570	595	620	650	675
IR-063-21-BT	6.3	5	5.8	6.3	6.8	2	8	10.5	1750	13	125-210	20	0.37 x 1	17	140	4	1205	1240	1205	1240	1315	1350	1415	1450	1525	1570	1625	1660	1735	1770	550	535-580	440	610	650	665	685	710	740	780
IR-125-41-BT	12.5	10	11	12.5	13	4	4	10.5	1750	13	125-210	20	0.55 x 2	17	140	8	1315	1350	1525	1560	1735	1770	1945	1980	2155	2180	2365	2400	2575	2610	550	535-580	550	810	850	910	975	1010	1080	1115
IR-075-21-BT	7.5	6	6.5	7.5	8	2	7	10.5	2000	16	125-210	25	0.37 x 2	17	140	4	1370	1275	1370	1275	1480	1385	1555	1460	1680	1585	1755	1660	1880	1785	600	535-580	500	620	665	675	695	725	755	795
IR-150-41-BT	15	12	13	15	16	4	3.5	10.5	2000	16	125-210	25	0.55 x 2	17	140	8	1480	1385	1680	1585	1880	1785	2080	1985	2280	2185	2480	2385	2680	2585	600	535-550	550	840	870	925	995	1060	1100	1180
IR-100-21-BT	10	8	9	10	12	2	7	14	2000	16	125-210	25	0.37 x 2	17	140	4	1370	1275	1370	1275	1480	1385	1555	1460	1680	1585	1755	1660	1880	1785	600	535-580	500	635	685	700	720	755	780	830
IR-200-41-BT	20	16	18	20	24	4	3.5	14	2000	16	125-210	25	0.55 x 2	17	140	8	1480	1385	1680	1585	1880	1785	2080	1985	2280	2185	2480	2385	2680	2585	600	535-550	550	865	885	950	1050	1100	1190	1250

Note :- Above dimensions are applicable for single speed hoisting/ lowering & cross travel motions only.
 All dimensions are in mm.
 All dimensions are within ± 5% of specified dimensions.
 Actual hoisting/lowering & cross travel speed is within ± 10% of specified speed.
 Hoist with inverter speed are also available in above range.
 Due to continuous development and improvement specification listed above can change without notice.

Note :- Due to continuous development and improvement specification listed above may be changed without notice.